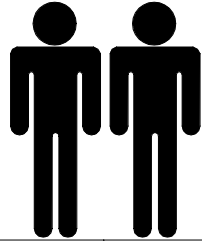


# ASSEMBLY INSTRUCTION

DESCRIPTION:  
CAT. NO PNQQ3  
BELLAGIO GB I  
2 DRW BEDSIDE CHEST



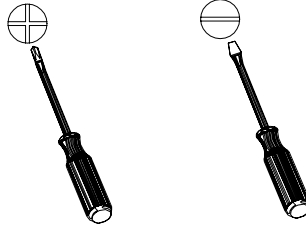
2 PERSON ASSEMBLY

FLOOR AREA  
3.5M X 2.0M

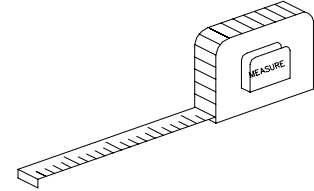


CEILING HEIGHT  
2.3M

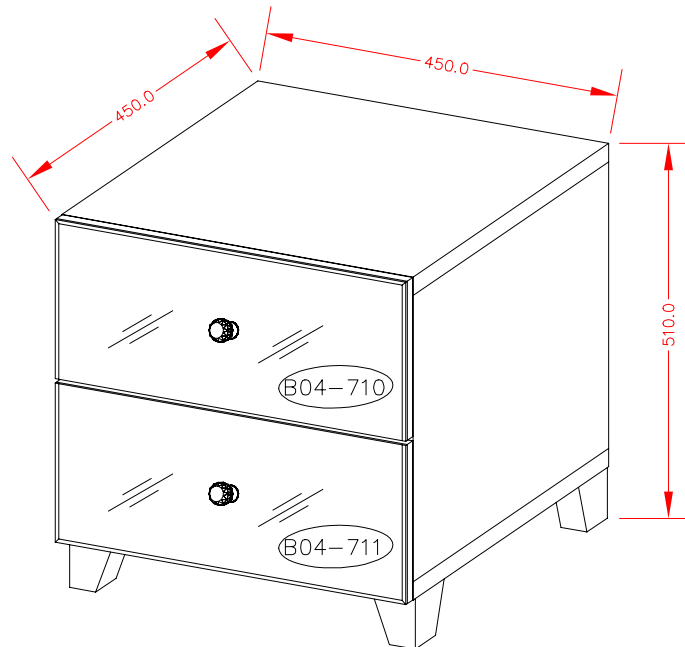
(FLAT BULD)  
REQUIRED ASSEMBLY SPACE



REQUIRED ASSEMBLY TOOLS



ASSEMBLED DIMENSIONS

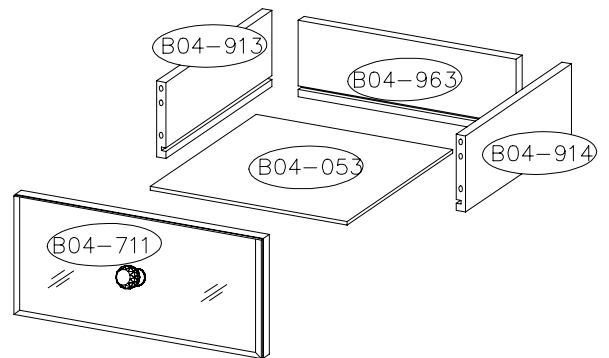
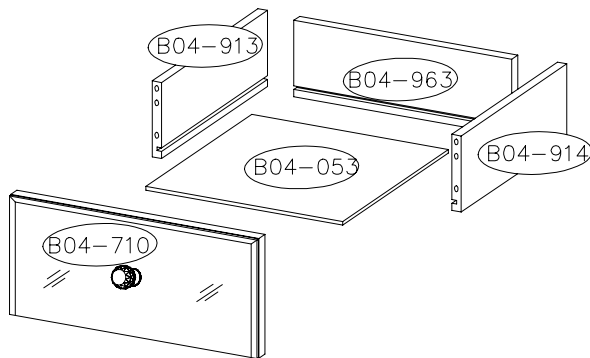
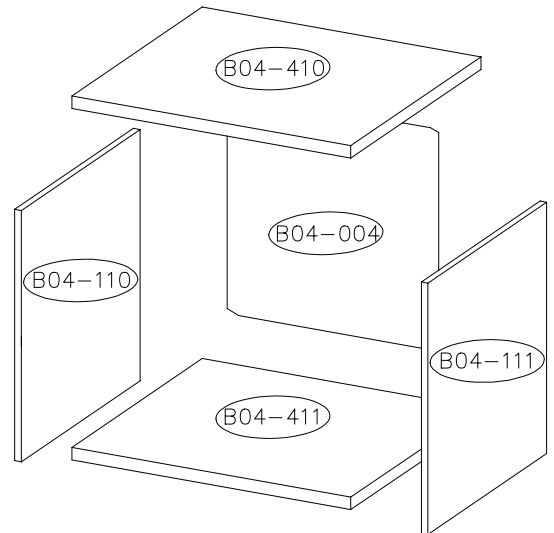


SKYWAYS HOUSE, SPEKE ROAD, LIVERPOOL L70 1AB

## BOTTOM WREATH

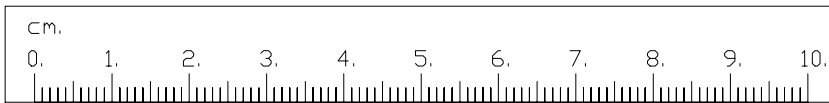
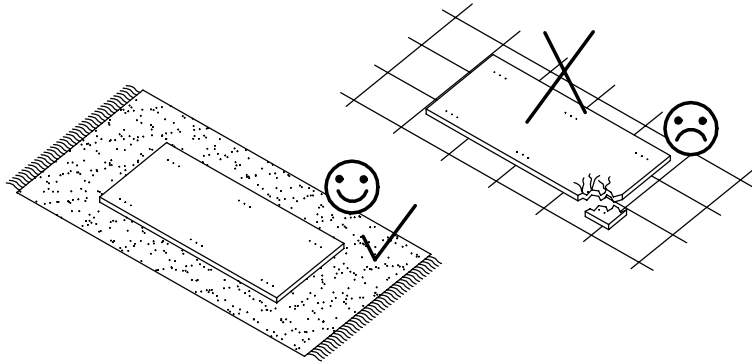
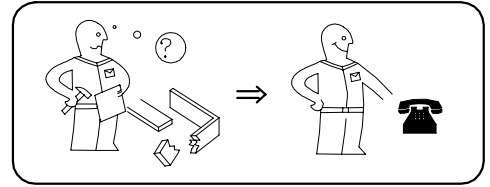
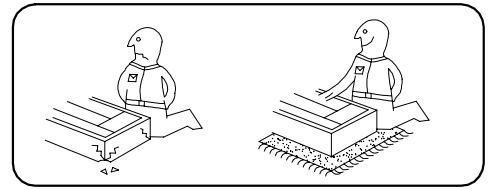
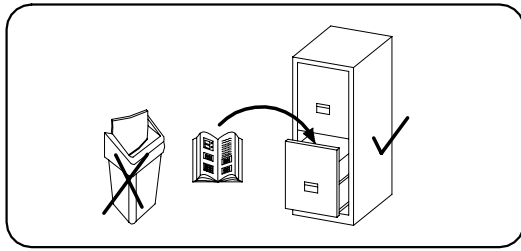
| NO. | PART LIST             | QTY |
|-----|-----------------------|-----|
| 110 | LEFT SIDE             | 1   |
| 111 | RIGHT SIDE            | 1   |
| 410 | TOP PANEL             | 1   |
| 411 | BOTTOM PANEL          | 1   |
| 710 | DRAWER'S FRONT        | 1   |
| 711 | DRAWER'S FRONT        | 1   |
| 913 | LEFT SIDE OF CARCASE  | 2   |
| 914 | RIGHT SIDE OF CARCASE | 2   |
| 963 | BACK PANEL OF CARCASE | 2   |
| 053 | BOTTOM OF DRAWER      | 2   |
| 004 | BACK PANEL            | 1   |

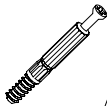


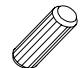
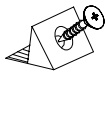

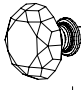
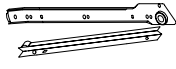

## PARTS LIST



PACK 1 CONSISTS OF PARTS:

110, 111, 410, 411, 710, 711, 913, 914, 963, 053, 004, Al, Fittings



|  |   |   |   |        |        |  |   |   |
|--|---|---|---|--------|--------|--|---|---|
|  |  |  |  | 5.0X13 | 6.0X11 | M4.0X20  |  | 4mm   |
| A  | B   | C   | D   | F10    | F1     | G  | J   | K   |
| 8  | 8   | 4   | 16  | 4      | 8      | 2  | 4   | 1   |
| 3mm  |  | 3.0X13  | 3.0X20  | 3.5X13 | 6.4X50 |  | 5.0X50  |  |
| M  |  | P2  | P4  | S      | V      | U  | Q   | R   |
| 1  | 4   | 4   | 8   | 8      | 4      | 2  | 12  | L   |
|  |   |   |   |        |        |  |   | 2 KPL   |

### **Top Tips before you start!**

1. Please check that all parts are present before you start the assembly of your furniture, as once assembled, the furniture is exempt from our home approval policy.
2. For ease and speed of assembly, we recommend that before you commence each step of the assembly, that you identify all the parts required for that step.
3. For larger items, please ensure that you have sufficient space and people ( as indicated on page 1 ) to assemble your product safely.
4. We recommend that, where possible, all items are assembled near to the area in which they will be placed in use, to avoid moving the product unnecessarily once assembled.
5. For the protection of your furniture, particularly items of high gloss finish, we recommend that the product is placed on a protected surface during assembly to prevent any damage.
6. During assembly please take care not to over-tighten any fittings, as this may damage the product.

### **Care and Maintenance of your Furniture**





Please periodically check all fittings and re-tighten as necessary.

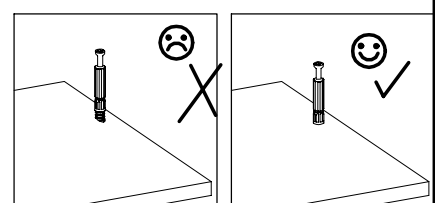
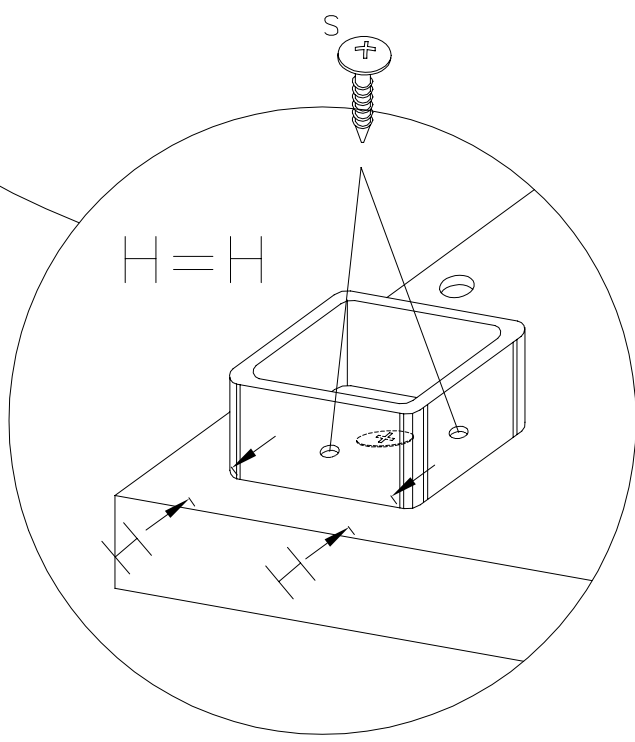
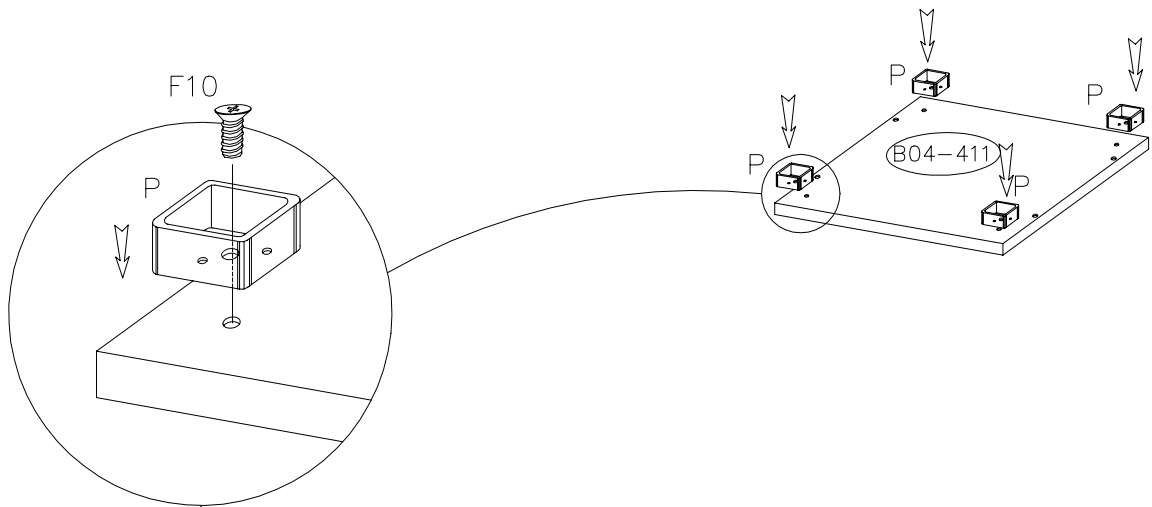
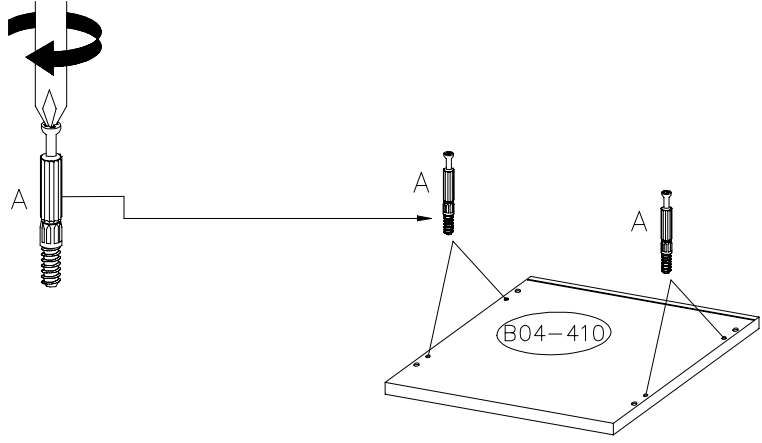
To clean your item, please use a damp cloth and wipe clean.





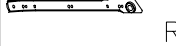

Never allow any kind of liquid to remain on your furniture. Absorption can cause wood to warp or finishes to de-laminate.

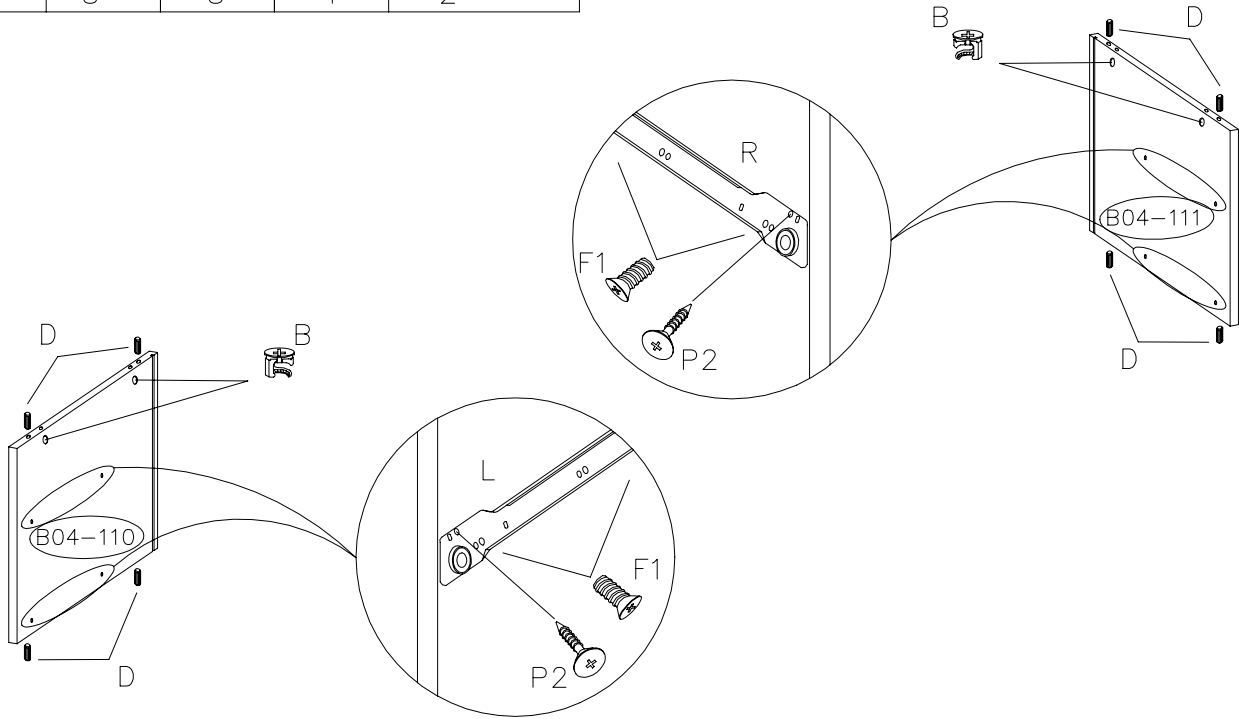
Please do not place hot items ( e. g. hot drinks ) directly on to the wood surface.



Please do not drag or pull your furniture.

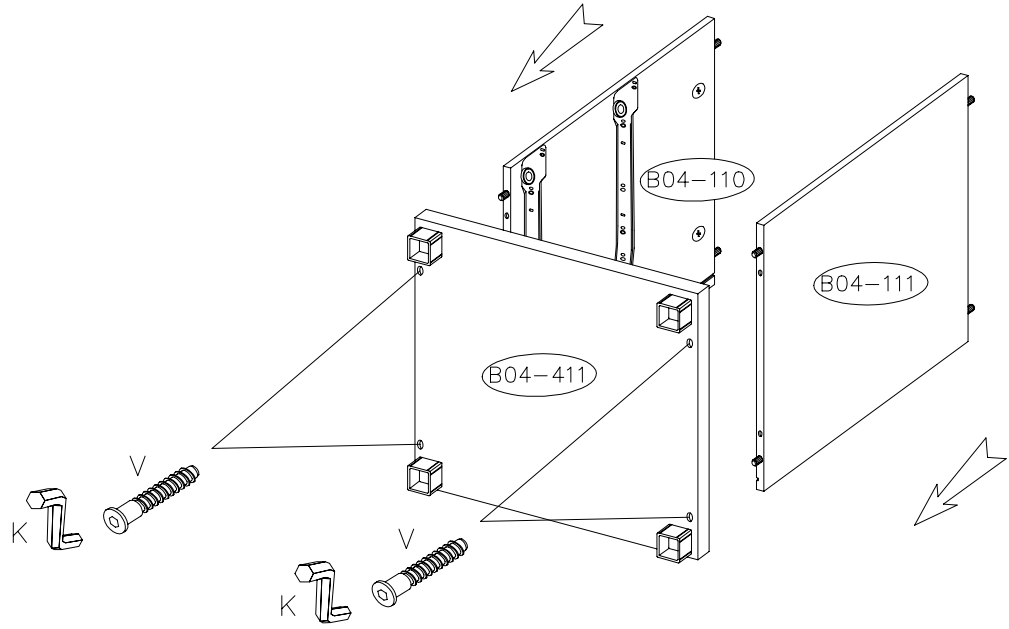
|  |   |   |   |
|--|---|---|---|
| <br>A | 5.0X13<br><br>F10 | <br>P | 3.5X13<br><br>S |
| 4  | 4   | 4   | 8   |

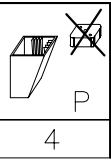


|   |  |  |  |   |
|---|--|--|--|---|
|  |  | 6.0X11<br> | 3.0X13<br> |  R<br> L |
| 4   | 8  | 8  | 4  | 2   |

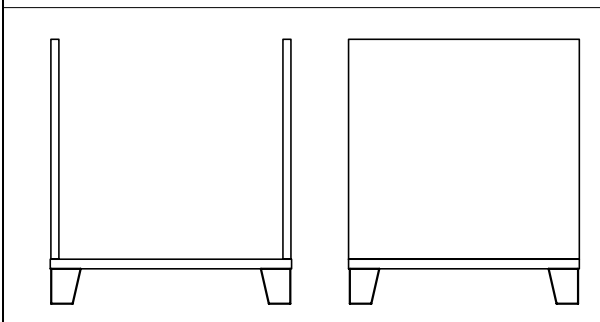
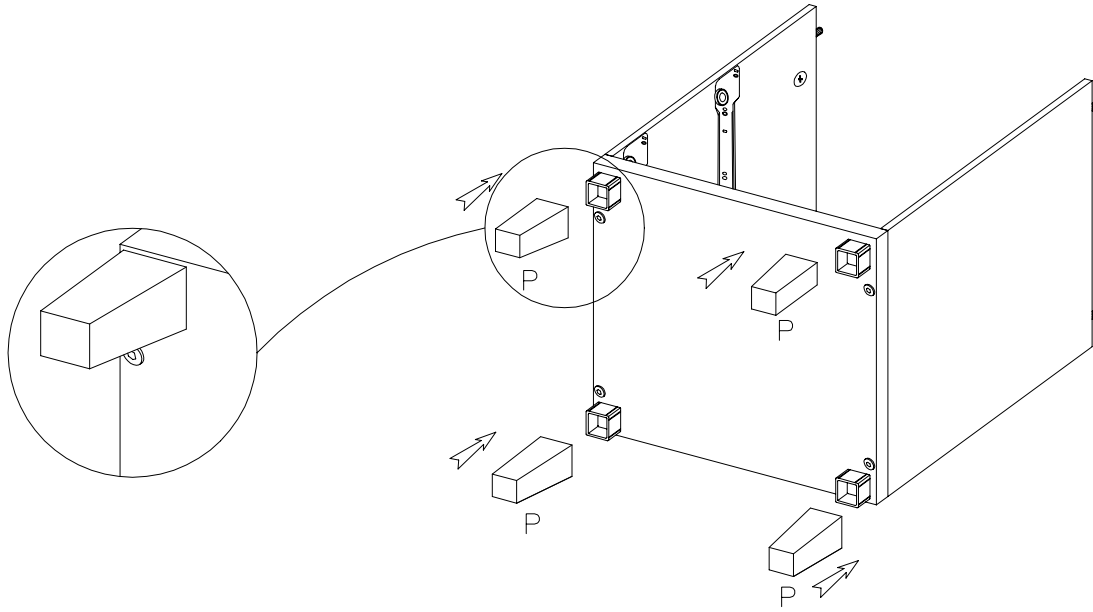


|   |   |
|---|---|
| 6.4X50<br> | 4mm<br> |
| 4   | 1   |

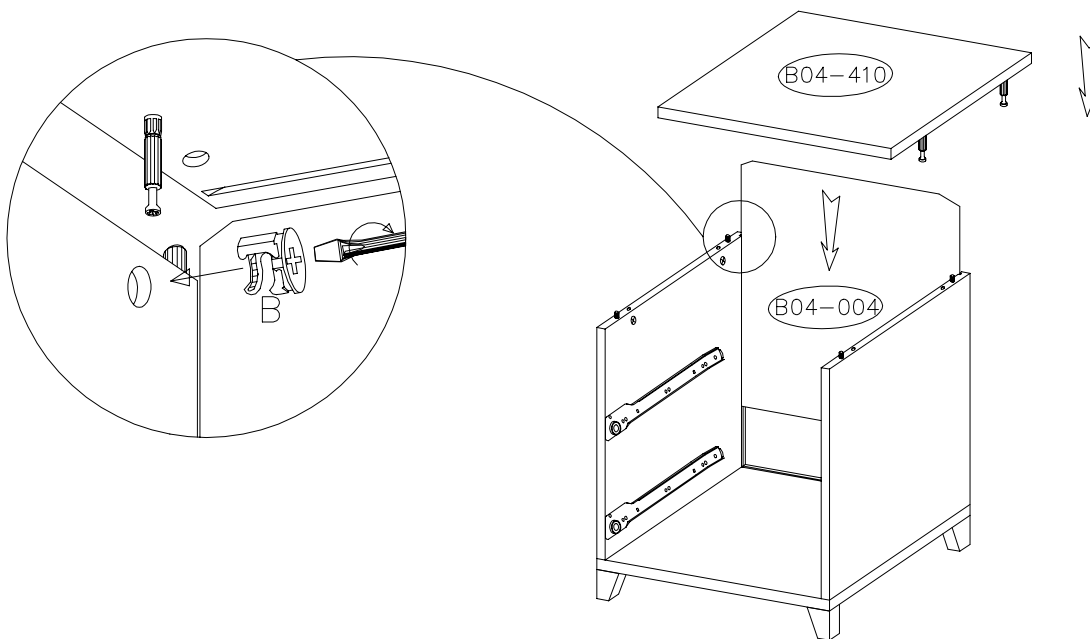


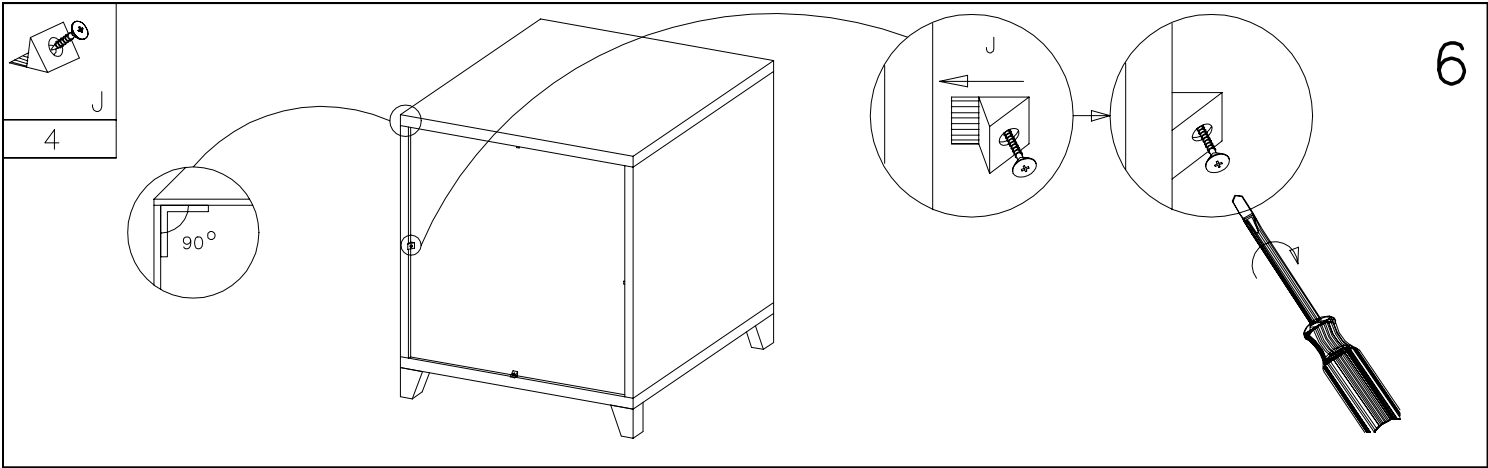


4

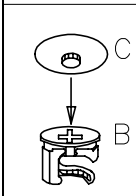
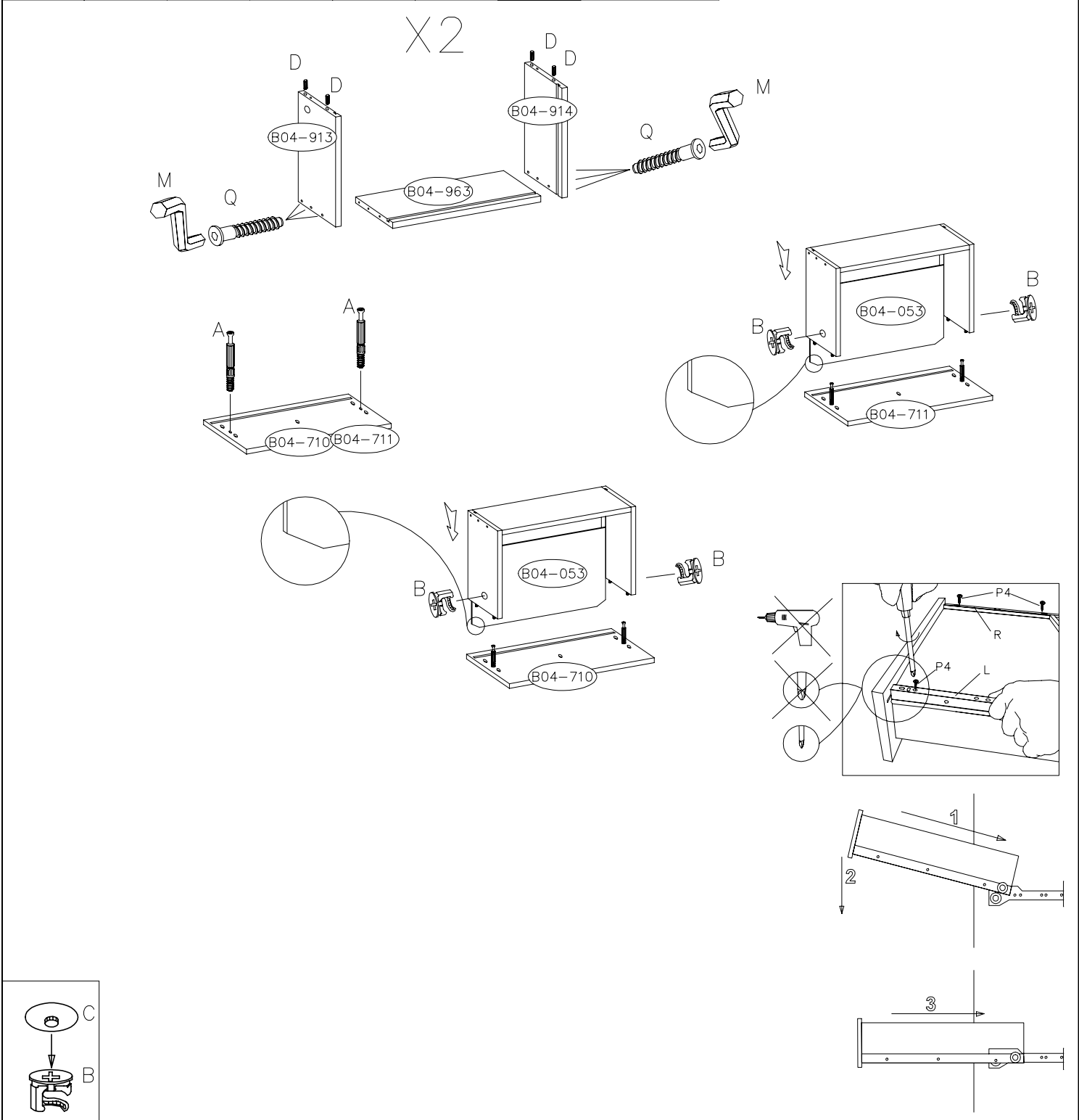


5





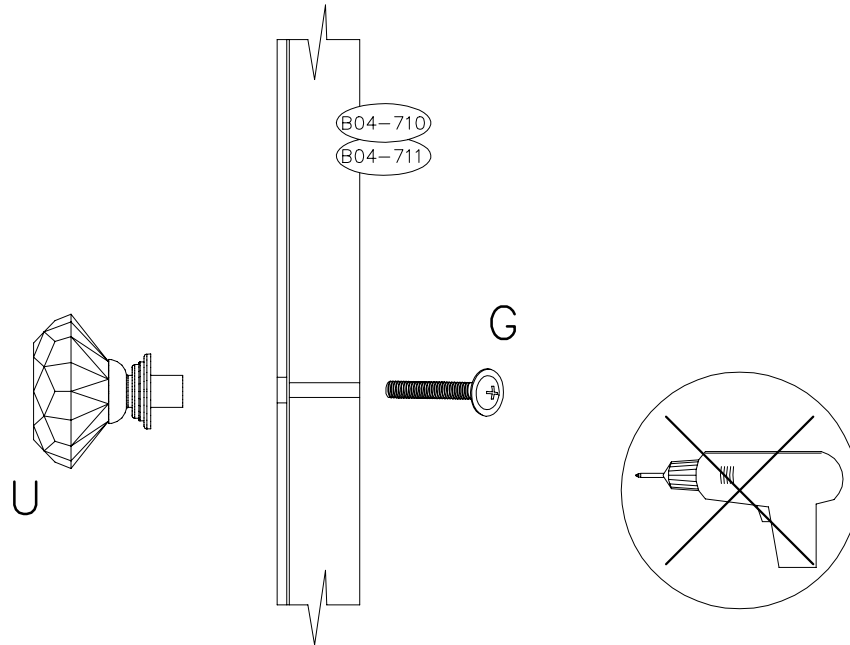


|   |   |   |   |         |            |            |  |   |
|---|---|---|---|---------|------------|------------|--|---|
|   |   |   |   | 3mm<br> | 3.0X20<br> | 5.0X50<br> |  | R |
| 4 | 4 | 4 | 8 | 1       | 8          | 12         |  | L |





|         |  |  |
|---------|--|--|
| M4.0X20 |  |  |
|         | G  | U  |
|         | 2  | 2  |



**CAUTION:** Only hand tighten the handle, overtightening could damage the mirrored drawer fronts.

For Missing / Damaged Spare parts - please visit the website

- My Account
- Account Queries
- Contact US!